

StraightLine Direction Drilling System

150 Gallon Mud System

Parts Catalog



1450 South Spencer Road • P.O. Box 388 • Newton, Kansas 67114
Phone: (316)-238-5511 • (800) 654-3484 • Fax: (316) 283-2738

Catalog No. 9010010
Rev 12.96

Ordering and Warranty Information

Quality

StraightLine Manufacturing, Inc. is dedicated to providing quality products and services to satisfy our customers' needs. Quality is the responsibility of every employee. Our focus is on continuously improving and innovating quality products, and providing technical support to our valued customers.

How To Order

Contact your local StraightLine Dealer or StraightLine Manufacturing, Inc.

StraightLine Manufacturing, Inc.
1450 South Spencer Road
P.O.Box 388
Newton, Kansas 67114 / USA
(316) 283-5511 Telephone
(316) 283-5513 Fax

Please use StraightLine part numbers when ordering. All customer orders will be invoiced through the respective StraightLine Dealer. Credit card orders are welcome.

Minimum Order

StraightLine manufacturing, Inc. requires a \$75.00 net minimum order. Orders less than \$75.00 will not be accepted.

Conditions of Sale -- Terms and Delivery

with approved credit, 30 day terms will be granted. A 2% discount is available for payments postmarked by the 10th day of invoice date. No discounts are allowed on freight.

Claims and Returns

In all cases, risk of loss and damage to goods in transit shall fall upon the purchaser. It is the purchaser's responsibility to file any loss damage with the carrier. Inspect all shipment for damage upon receipt. If any damage is noticed with package or carton, do not sign for or accept it without the driver making a notation on the freight bill or receipt. After receiving the shipment, remove the goods and thoroughly inspect immediately. If any concealed damage is discovered, notify the delivering carrier immediately in writing. Do not move damaged merchandise until further inspection has been made. Save the carton and packing material for inspection. Do not attempt to return any goods to our factory without making prior arrangements with StraightLine Manufacturing, Inc.

Claims for shortages or inaccurate filling of orders must be made within 15 days after receipt of goods. All returns must have a returned goods authorization number (RGA number) regardless of the reason for return. Please contact StraightLine Manufacturing, Inc. for the RGA number. This number must appear on the outside of the box as well as on a tag tied to the individual part. There will be a restocking charge applied on any items returned for credit or exchange when the error is not ours. Goods must be in new original condition.

Packaging

Returned goods must be properly and securely packed to avoid damage in shipment. Goods damaged in shipment due to poor or improper packaging will not be warranted. Proper storage and shipment of warranty parts is a customer responsibility. If any components are damaged by rain, mud, rust, poor packaging, etc. the purchaser will be charged for the part.

Inspection Charge

Goods returned for warranty consideration inspection, and (or) testing, and found to be in acceptable working condition, will be subject to a minimum \$25.00 inspection and handling charge for each item.

Warranty

Warranty allowance is based on 12 months or 1,000 hours of use from the date of delivery whichever occurs first. Warranty credit will be based on invoice price.

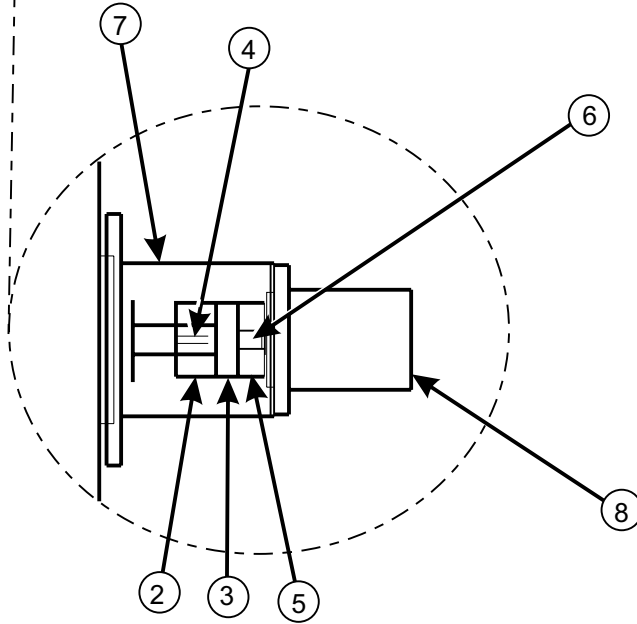
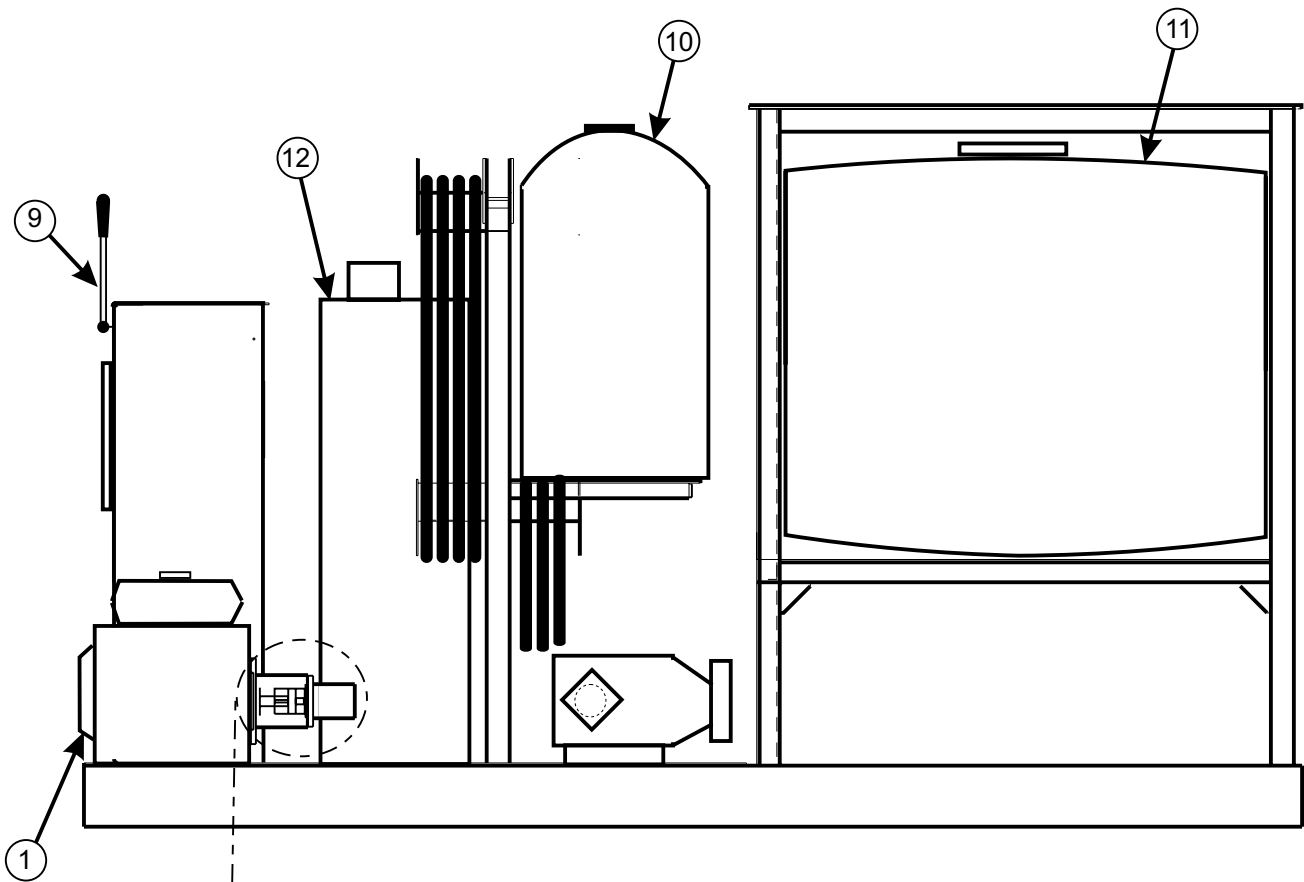
Genuine StraightLine parts that are replaced under this warranty and installed by an authorized StraightLine Dealer or StraightLine service Representative will be repaired or replaced, with a new or remanufactured part as StraightLine elects, if a defect in materials or workmanship appears during the period of coverage.

SPECIFIC POLICIES AND PROCEDURES FOR THE OPERATION OF THIS WARRANTY ARE SET FORTH IN STRAIGHTLINE'S DEALER WARRANTY SERVICE - POLICIES & PROCEDURES MANUAL..

Table of Contents

Description	Page
150G Mud Mixing System - Main Components.....	3
150G Mud Mixing System - Main Components (cont.).....	5
Myers Pump Assembly.....	7
Electrical Assembly.....	9
Hydraulic Piping Assembly.....	11
Mud Piping Assembly.....	13
Mud Piping Assembly (cont.).....	15
Decal Location.....	17

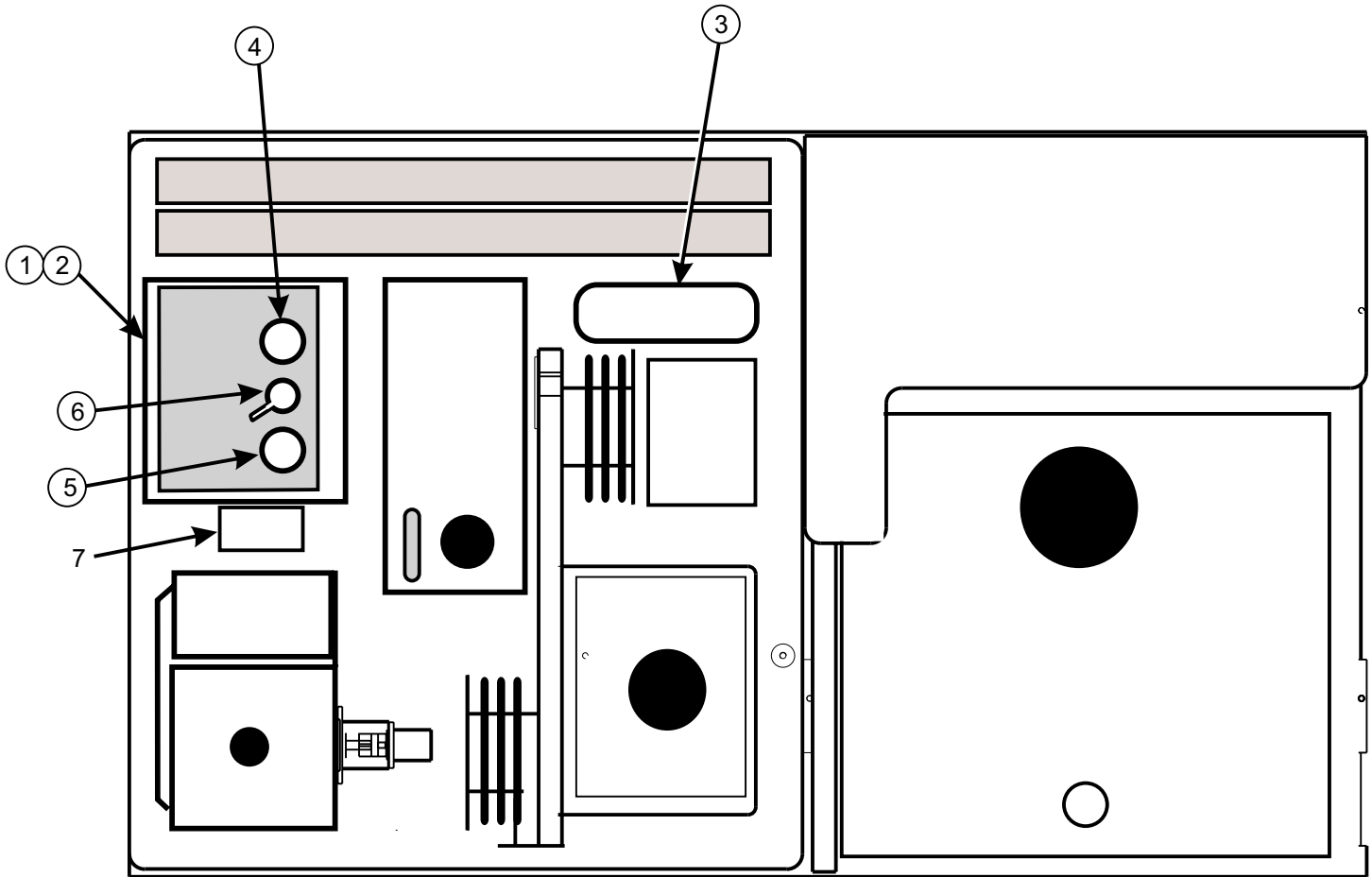
150G Mud Mixing System - Main Components



150G Mud Mixing System Parts List

<u>Item</u>	<u>Part Number</u>	<u>Description</u>	<u>Qty</u>
1.....	236-4434-02.....	Engine, Honda - 13 H.P.....	1
2.....	236-4432-02.....	Hub, Coupling - L100 x 1.00.....	1
3.....	236-4433-02.....	Coupler, Center - Spider, Hytrel.....	1
4.....	236-4435-02.....	Key, Square - 1/4" x 1 1/2"	1
5.....	236-4422-04.....	Hub, Coupling - L100 x 5/8.....	1
6.....	701-200-02.....	Screw , Set - Cup Point 1/4 NC x 1/4.....	1
7.....	236-4436-02.....	Mount, Pump - Hydraulic.....	1
8.....	236-8335-02.....	Pump, Hydraulic.....	1
9.....	236-6096-02.....	Valve, Hydraulic.....	1
10.....	203-182-02.....	Tank, Anti-Freeze.....	1
11.....	236-8379-02.....	Tank, Plastic - Mud / Water.....	1
ref.....	236-8561-04.....	Strap, Tank.....	1
12.....	236-8460-02.....	Tank, Hydraulic.....	1
ref.....	236-1195-02.....	Strainer, Suction (@ bottom of tank).....	1
ref.....	236-5232-02.....	Filter, Return.....	1
ref.....	236-3673-02.....	Gasket, Filter - Return.....	1
ref.....	236-8417-02.....	Gauge, Filter - Return.....	1
ref.....	236-4929-04.....	Cover, Tank.....	1
ref.....	236-4930-02.....	Gasket, Cover.....	1
ref.....	202-400-02.....	Gauge, Sight - Oil level.....	1
ref.....	236-4931-02.....	Plug, Magnetic - 3/4 NPT.....	2

150G Mud Mixing System - Main Components (continued)



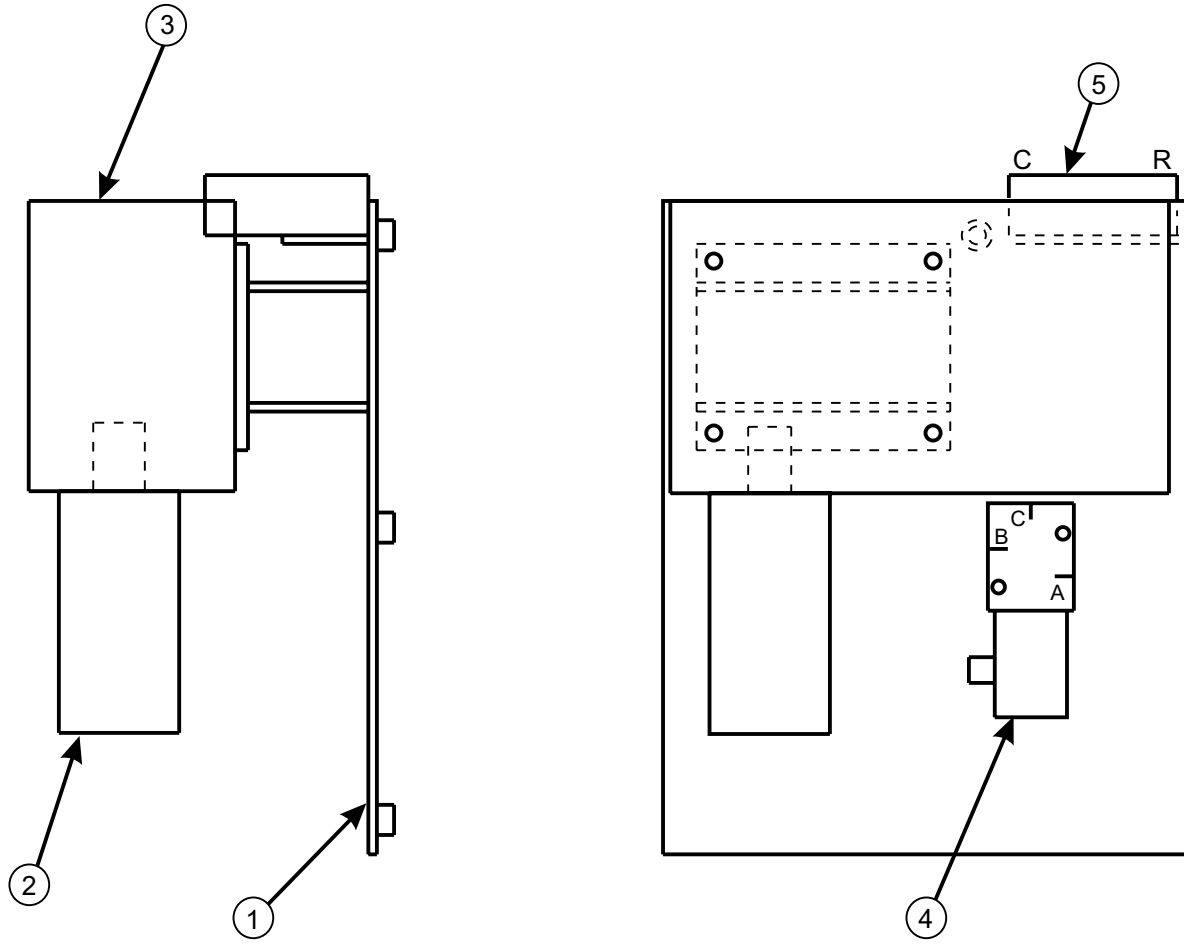
150G Mud Mixing System Parts List

<u>Item</u>	<u>Part Number</u>	<u>Description</u>	<u>Qty</u>
1.....	236-8562-04.....	Cover, Access - Battery.....	1
2.....	236-2516-02.....	Battery, Engine - 12 Volt.....	1
3.....	236-8378-02.....	Pump, Centrifugal - Banjo.....	1
4.....	202-020-02.....	Gauge, Hydraulic - 3,000 PSI.....	1
5.....	236-9055-02.....	Gauge, Water - 2,000 PSI.....	1
6.....	236-5432-02.....	Switch, Selector.....	1
7.....	236-8769-04.....	Valve, Relief.....	1

Banjo Centrifugal Pump Repair Parts

236-6249-04.....	Repair Kit
236-6246-02.....	3/4" Drive Sleeve
236-6247-02.....	Impellar
236-6248-02.....	Adapter Gasket
236-5843-02.....	Seal Assembly
236-6579-02.....	2" Outlet Flange
236-6580-02.....	2" Inlet Flange - 20°
236-9023-02.....	Check Valve w/ Inlet Gasket

Myers Pump Assembly



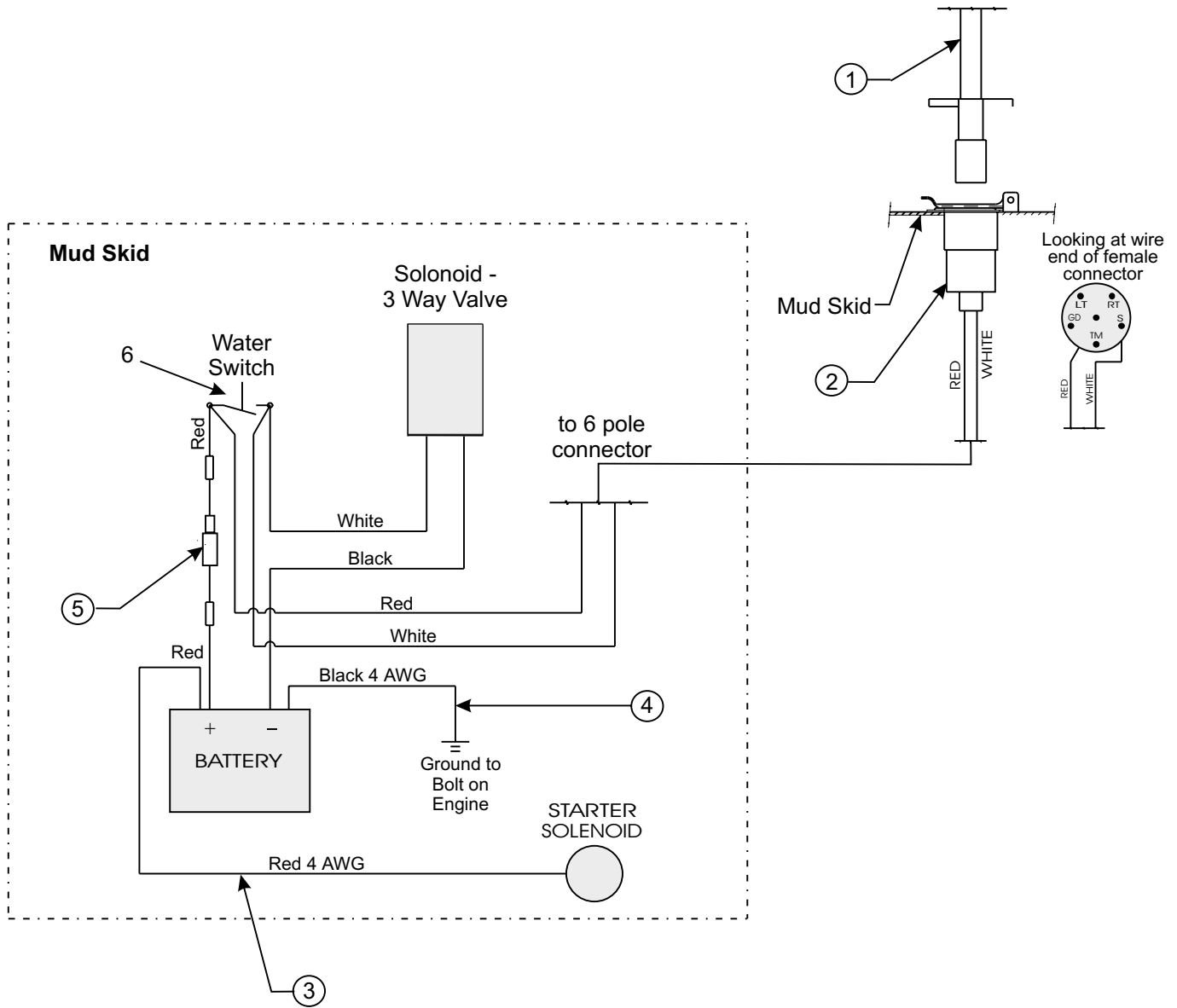
Myers Pump Assembly Parts List

<u>Item</u>	<u>Part Number</u>	<u>Description</u>	<u>Qty</u>
1.....	236-4113-04.....	Frame, Mount - Mud Pump.....	1
2.....	236-8704-02.....	Motor, Hydraulic.....	1
ref.....	236-7750-02.....	Seal Kit.....	1
3.....	236-8703-02.....	Pump, Mud - Myers.....	1
4.....	236-4108-02.....	Valve, - 3 way, 2 position.....	1
5.....	236-4109-02.....	Valve, Flow Control.....	1
6.....	236-7172-02.....	Valve, Relief - Mud.....	1
ref.....	236-4092-02.....	Ball and Seat (carbide).....	ref
ref.....	236-6850-02.....	Keeper Seal.....	ref

Service Parts for Myers Mud Pump (item 3)

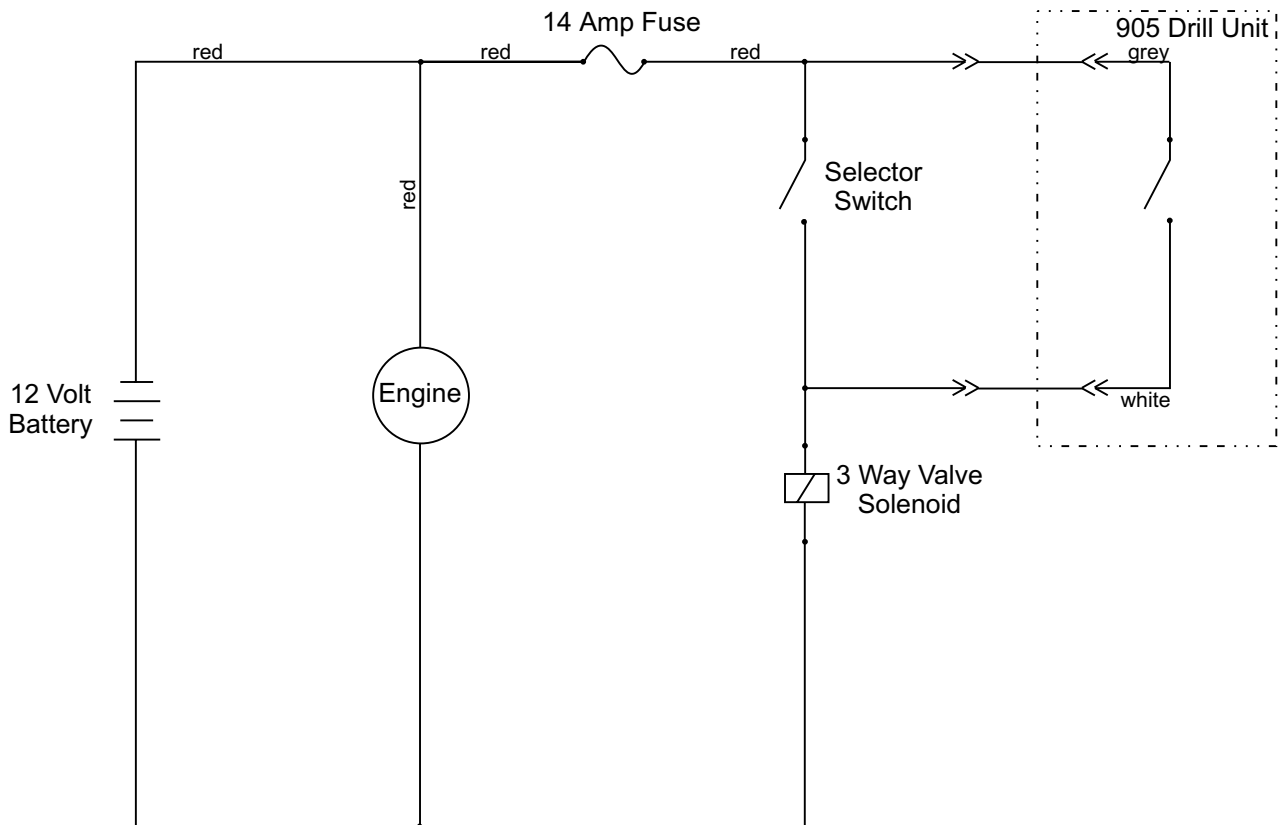
<u>Part Number</u>	<u>Description</u>
236-9494-02.....	Repair Kit - Packing / Pistons Packing for (3) Pistons Gasket for (3) Pistons Washer for (3) Pistons Piston (3)
236-9495-02.....	Repair Kit - Cylinder Liner Cylinder Liner (3) O'Ring (3) Gasket (3)
236-5784-02.....	Packing - for (1) Piston V-Ring Packing Nylon Gasket Nylon Gasket O'Ring
236-8933-02.....	Cylinder Liner (1)
236-7776-02.....	Piston (1)
236-8921-02.....	Crosshead Oil Seal (2) req'd per crosshead (6) req'd per pump
236-5781-02.....	Spring
236-5780-02.....	Valve Seat
236-5779-02.....	Valve
236-5782-02.....	O'Ring

Electrical Assembly

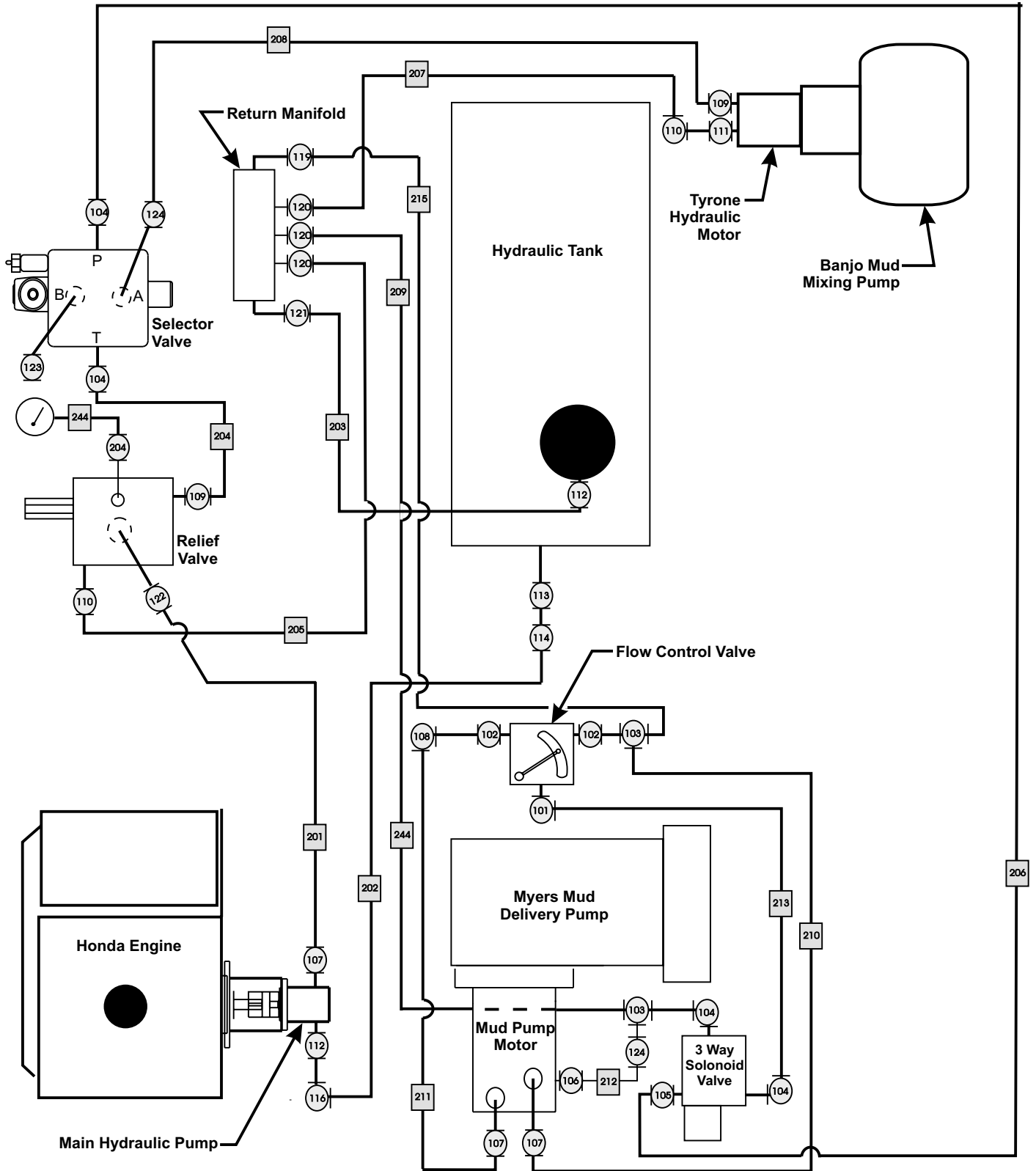


Electrical Assembly Parts List

<u>Item</u>	<u>Part Number</u>	<u>Description</u>	<u>Qty</u>
1.....	203-191-02.....	Cable, Umbilical - (100').....	1
ref.....	203-213-02.....	Connector, 6 pole male.....	ref
2.....	203-214-02.....	Connector, 6 pole female.....	1
3.....	236-8777-04.....	Cable, Battery - positive.....	1
4.....	236-8776-04.....	Cable, Battery - negative.....	1
5.....	236-6395-02.....	Fuse, 14 Amp.....	1
6.....	236-5432-02.....	Switch, Selector.....	1

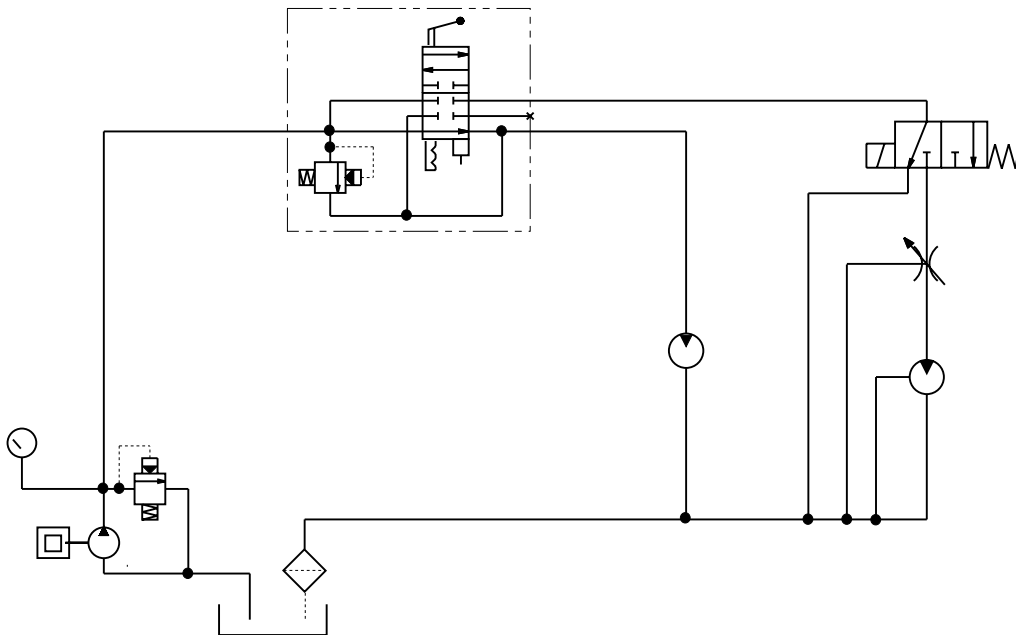


Hydraulic Piping Assembly

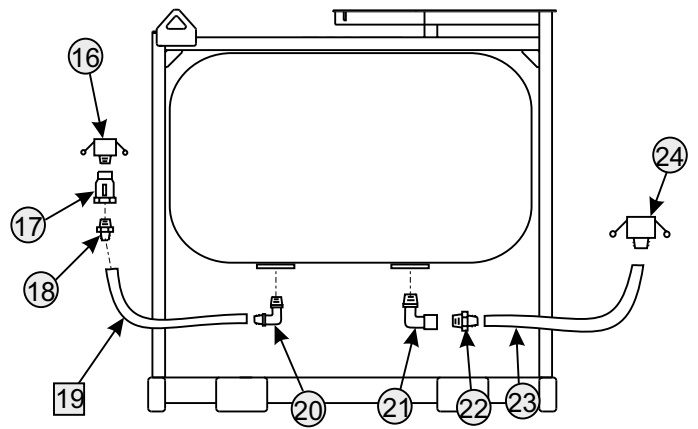
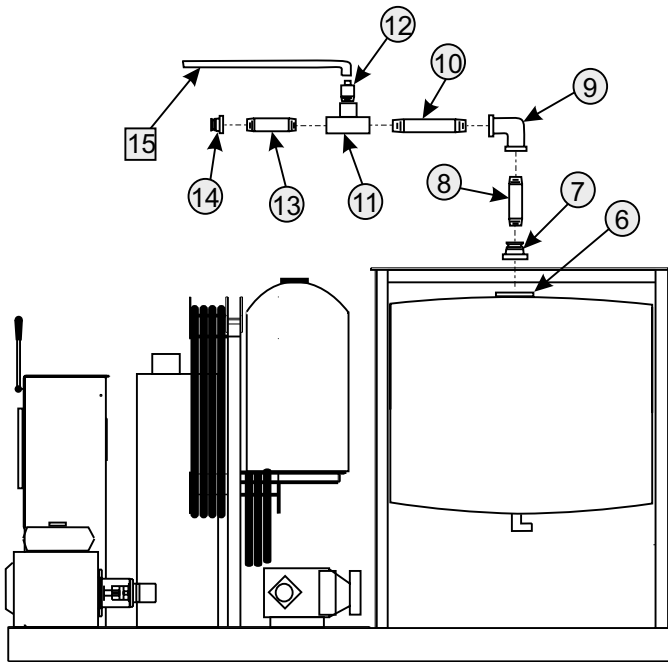
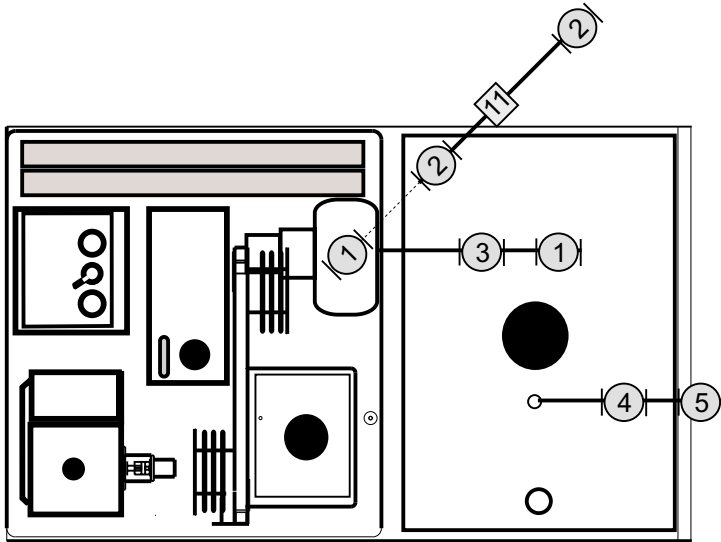


Hydraulic Piping Assembly Parts List

<u>Item</u>	<u>Part Number</u>	<u>Description</u>	<u>Item</u>	<u>Part Number</u>	<u>Description</u>
101.....	202-824-02.....	6MP-8MJ90	201.....	236-3324-02.....	Hose, -8 (2500 psi x 24")
102.....	236-1834-02.....	6MP-8MJ	202.....	236-8741-04.....	Hose, -12 (3000 psi x 13")
103.....	202-209-02.....	8MJ-8FJX-8MJT	203.....	236-3327-02.....	Hose, -12 (2500 psi x 59")
104.....	202-953-02.....	8MB--8MJ90	204.....	236-8742-04.....	Hose, -8 (2500 psi x 34")
105.....	202-946-02.....	8MB-8MJ	205.....	236-8743-04.....	Hose, -8 (2500 psi x 27")
106.....	202-216-02.....	4MB-6MJ	206.....	236-3888-02.....	Hose, -8 (2500 psi x 55")
107.....	202-215-02.....	10MB-8MJ	207.....	236-8744-02.....	Hose, -8 (2500 psi x 52")
108.....	202-207-02.....	8MJ-8FJX90	208.....	236-4367-04.....	Hose, -8 (2500 psi x 64")
109.....	202-217-02.....	12MB-8MJ	209.....	236-8745-04.....	Hose, -8 (2500 psi x 61")
110.....	202-218-02.....	12MB-8MJ90	210.....	236-4368-04.....	Hose, -8 (2500 psi x 32")
111.....	208-1133-0.....	16MB-12FB	211.....	236-4369-04.....	Hose, -8 (2500 psi x 32")
112.....	202-947-02.....	12MB-12MJ	212.....	236-4374-04.....	Hose, -6 (2500 psi x 12 1/2")
113.....	202-820-02.....	20MB-20MJ	213.....	236-7159-04.....	Hose, -8 (2500 psi x 19")
114.....	236-3309-02.....	20FJ-16MJ	215.....	236-5570-04.....	Hose, -8 (2500 psi x 58")
116.....	202-208-02.....	12MJ-12FJX90			
119.....	202-243-02.....	8MJ-12MP90			
120.....	202-273-02.....	8MJ-8MP			
121.....	202-288-02.....	12MP-12MJ			
122.....	202-908-02.....	4MB-4MJ90			
123.....	202-916-02.....	6MB Plug			
124.....	236-1104-02.....	8FJ-6MJ			



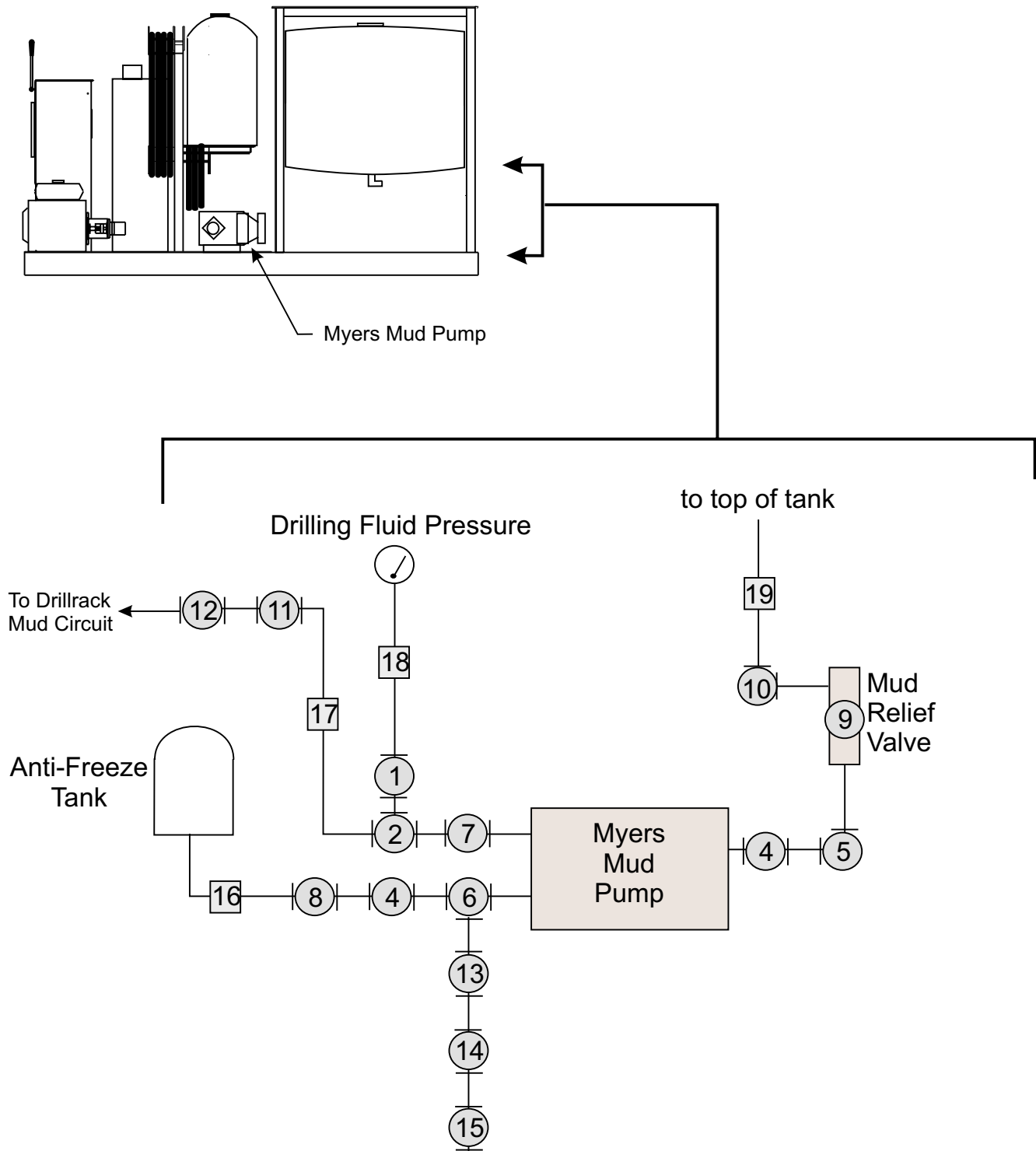
Mud Piping Assembly



Mud Piping Assembly Parts List

<u>Item</u>	<u>Part Number</u>	<u>Description</u>	<u>Qty</u>
1.....	236-3757-02.....	2" MP-2" Male Quick Disconnect.....	1
2.....	236-3760-02.....	2" MP-2" Female Quick Disconnect.....	1
3.....	236-8112-02.....	2" MP-2" FP45.....	1
4.....	236-6898-02.....	Tank Port, 1".....	1
5.....	203-169-02.....	1" MP-3/4" Hose Barb90.....	1
6.....	236-8608-02.....	Tank Port, 3".....	1
7.....	236-5673-02.....	3" MP-3" Male Quick Disconnect.....	1
8.....	236-8620-02.....	Nipple, Pipe - 2" x 10".....	1
9.....	236-8619-02.....	Elbow, Pipe - 2".....	1
10.....	236-8618-02.....	Nipple, Pipe - 2" x 24".....	1
11.....	236-3756-02.....	Tee, Pipe - 2".....	1
12.....	236-8614-04.....	Nipple, Hose - Mud Feed.....	1
13.....	236-8615-04.....	Nozzle, Venturi - Mud Mix.....	1
14.....	236-6035-02.....	2" FP-2" Male Quick Disconnect.....	1
15.....	236-8768-02.....	Hose, Suction - 1".....	1
16.....	203-162-02.....	1 1/2 MP-1 1/2 Female Quick Disconnect.....	1
17.....	203-161-02.....	Ball Valve, 1 1/2.....	1
18.....	203-167-02.....	1 1/2 MP-1 1/2 Hose Barb.....	1
19.....	236-8750-02.....	Hose, 1 1/2 x 17".....	1
20.....	236-4381-02.....	1 1/2" MP-1 1/2" Hose Barb90.....	1
21.....	236-3859-02.....	2" MP-2" FP90.....	1
22.....	236-3858-02.....	2" MP- 2" Hose Barb.....	1
23.....	236-6028-03.....	Hose, Water - 2" x 48".....	1
24.....	236-3760-02.....	2" Hose Barb-2" Female Quick Disconnect.....	1

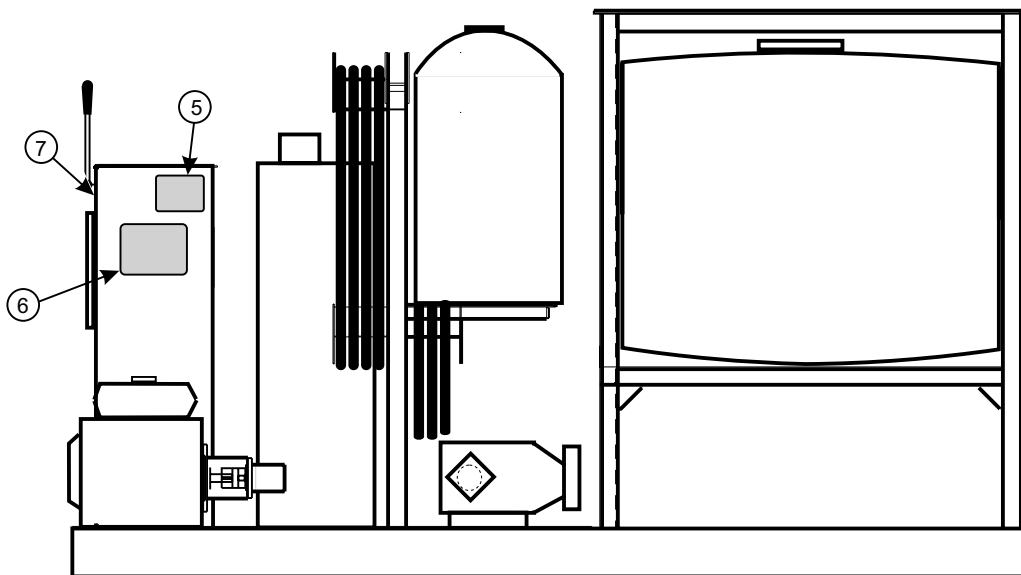
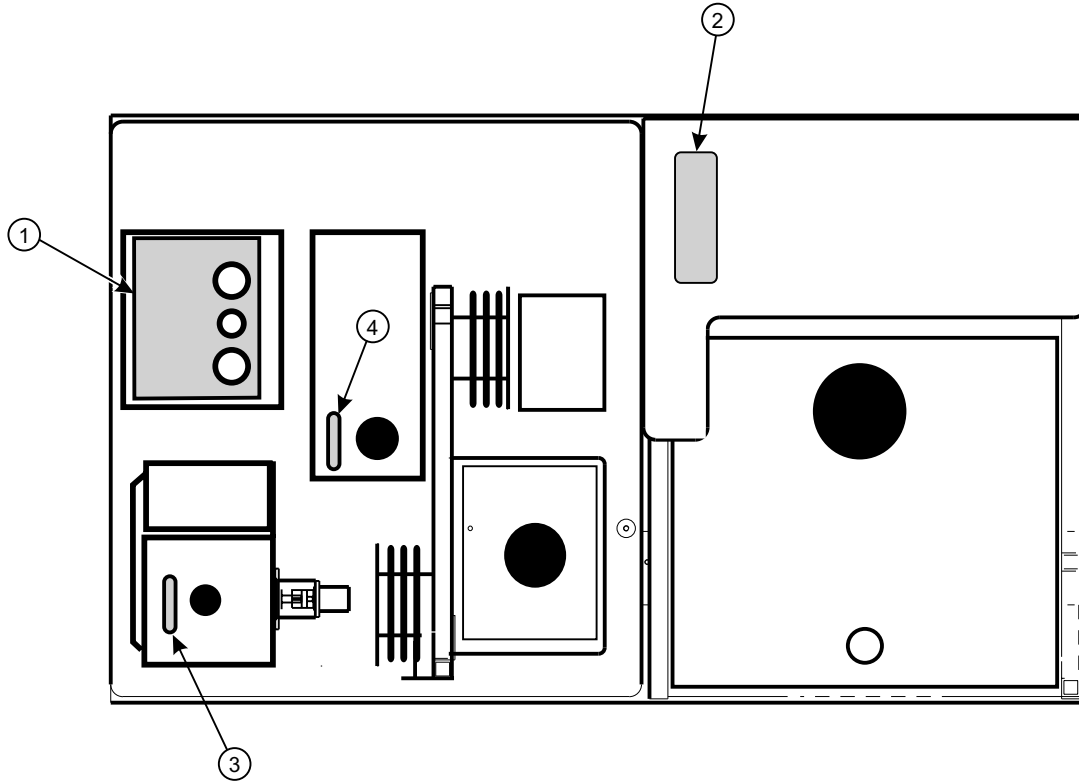
Mud Piping Assembly (continued)



Mud Piping Assembly Parts List

<u>Item</u>	<u>Part Number</u>	<u>Description</u>	<u>Qty</u>
1.....	236-1043-02.....	4MJ-8MJ.....	1
2.....	202-209-02.....	8MJ-8FJX-8MJT.....	1
4.....	202-917-02.....	8MP-16MP.....	1
5.....	202-812-02.....	16FP-16FP90.....	1
6.....	202-244-02.....	16MP-16FP-16-FPT.....	1
7.....	202-273-02.....	8MP-8MJ.....	1
8.....	203-181-02.....	Ball Valve, 1/2".....	1
9.....	236-7172-02.....	Relief Valve, Mud.....	1
10.....	203-169-02.....	16MP-12 Hose Barb90.....	1
11.....	202-955-02.....	8MJ-12MP.....	1
12.....	236-9091-02.....	Coupler, Male - 3/4".....	1
13.....	202-297-02.....	16MP-16MP.....	1
14.....	236-4379-02.....	1" FP - 1 1/2" FP.....	1
15.....	208-1095-02.....	1 1/2" MP - 1 1/2 Male Quick Disconnect.....	1
16.....	236-8869-02.....	Water Hose.....	1
17.....	236-6377-04.....	Hose Assembly (1/2" x 100 ft).....	1
18.....	236-8747-04.....	Hose Assembly.....	1
19.....	236-4158-02.....	Water Hose.....	1
	236-8868-04.....	Wash Wand Assembly.....	1
	236-6638-02.....	1516 Tip.....	1
	202-222-02.....	4FP-4FP.....	1
	203-142-02.....	Wand.....	1
	203-141-02.....	Gun.....	1
	236-9038-02.....	Adapter, Male - 3/8 x 3/4 NPT.....	1
	236-9092-02.....	Coupler, Female - 3/4 NPT (Valveless).....	1

Decal Locations



Decal Parts List

<u>Item</u>	<u>Part Number</u>	<u>Description</u>	<u>Qty</u>
1.....	236-8796-02.....	Decal, Operation - Main Control Panel.....	1
2.....	236-4429-02.....	Decal, Safety - Dry Materials Hazard.....	1
3.....	236-2475-02.....	Decal, Operation - Use Gasoline Only.....	1
4.....	750-117-02.....	Decal, Operation - Hydraulic Oil.....	1
5.....	750-118-02.....	Derial Number Plate.....	1
6.....	750-105-02.....	Decal, Identity - Straightline.....	1
7.....	750-114-02.....	Decal, Identity - US Flag / Made in USA.....	1